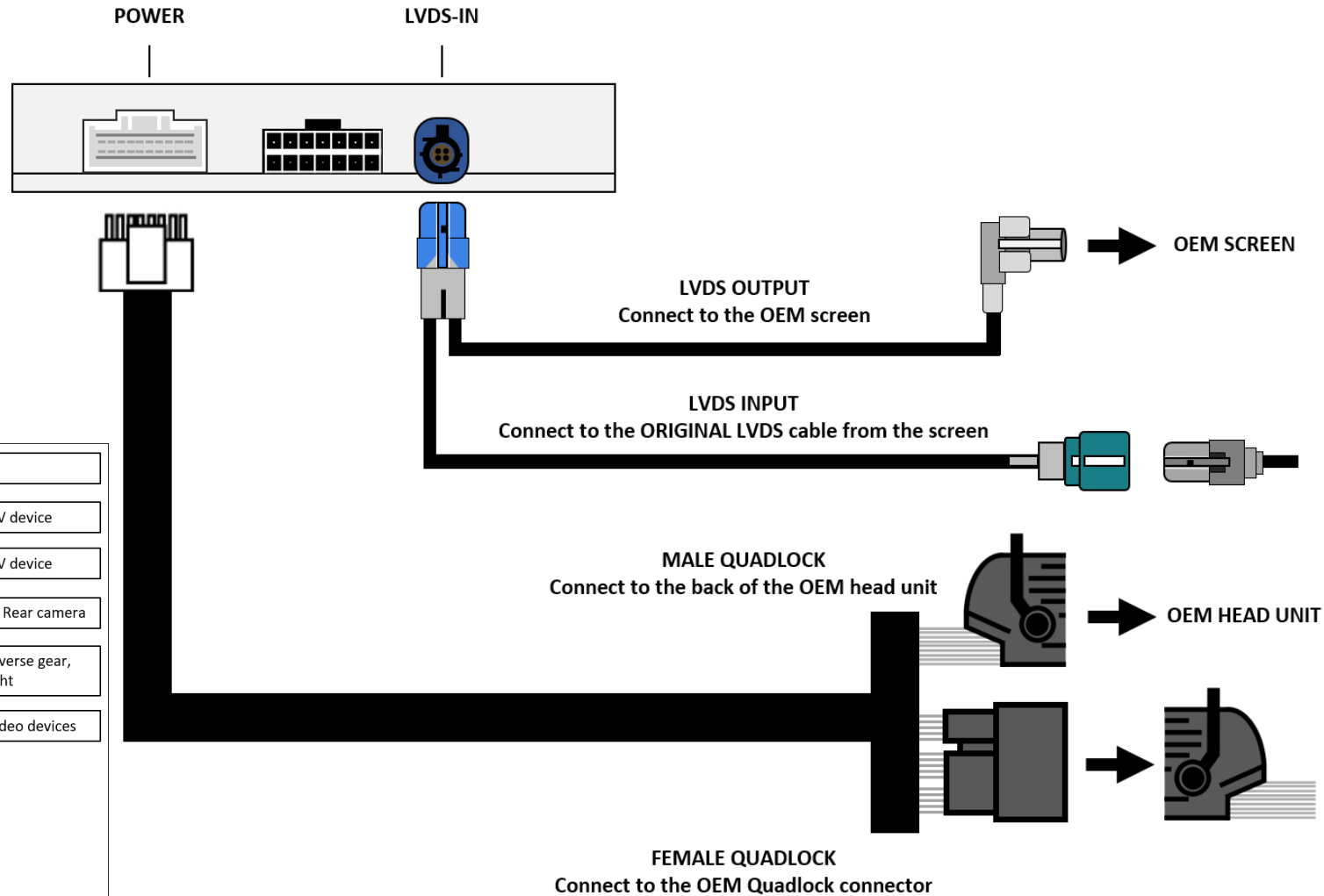


CONNECTION DIAGRAM



— WHITE	IR, N/A
— DVR GND	Supply power for external A/V device
— DVR B+	Supply power for external A/V device
— REV POW	Camera 12V out, power supply for Rear camera
— 360 DET	If screen doesn't switch upon reverse gear, connect to reversing light
— DVR ACC	Power supply for DVR or other video devices
— F VIDEO	Front Camera In
— BACKACAR VIDEO	Rear Camera In
— DVR VIDEO	DVR Camera In

DIP SWITCH SETTINGS

Please disconnect & reconnect interface power after changing any DIP setting



Dip	ON ↓	OFF ↑
1	OFF OFF	OEM rear camera
2	OFF ON	Aftermarket rear camera (CAN detect)
	ON OFF	Aftermarket rear camera (Reverse detect)
3	Enable front camera	Disable front camera
4	Enable DVR	Disable DVR
5	OFF OFF OFF	2016-2018 308/408
	OFF OFF ON	2016-2018 4008/5008/C3-XR/C6
6	OFF ON OFF	2016-2018 Citroen C4 C-Quatre
	OFF ON ON	2019 Citroen C4 aircross 1280*720
7	ON OFF OFF	2019 4008/508 1280*720
	ON OFF ON	2019 408 1280*720
8	OFF	

Long press 3S "list" button on steering wheel to switch to DVR



DISPLAYING VIDEO -3

Make sure DIP number 4 is "ON", press and hold the "LIST" button on the steering wheel or "MENU" for 3 Seconds to display external video.